

5 YEAR LIMITED WARRANTY

WHAT IS COVERED

This product is guaranteed to be free of factory defective parts and workmanship for a period of 5 years from date of purchase. Purchase receipt is required for all warranty claims.

WHAT IS NOT COVERED

This guarantee does not include repair service, adjustment and calibration due to misuse, abuse or negligence, or LEDs. Unauthorized service or modification of the product or of any furnished component will void this warranty in unauthorized service, or return shipping charges. This warranty is not extended to other equipment and components that a customer uses in conjunction with this product.

FCC INFORMATION

This device complies with Part 15 of the FCC Rules. Operation is subject to the following two conditions: (1) This device may not cause harmful interference, and (2) This device must accept any interference received, including interference that may cause undesired operation. Warning: Changes or modification to this unit not expressly approved by the party responsible for compliance could void the user's authority to operate the equipment. NOTE: This equipment has been tested and found to comply with the limited for Class B digital device, pursuant to Part 15 of the FCC Rules. Their limits are designed to provide reasonable protection against harmful interference in a residential installation. This equipment generates, uses and can radiate radio frequency energy and, if not installed and used in accordance with the instructions, may cause harmful interference to radio communications. However, there is no guarantee that interference will not occur in a particular installation. If the equipment does cause harmful interference to radio or television reception, which can be determined by turning the equipment off and on, the user is encouraged to try to correct the interference by one or more of the following measures:

- Reorient or relocate the receiving antenna.
- Increase the separation between the equipment and the receiver.
- Connect the equipment into an outlet on a circuit different from that to which the receiver is connected.
- Consult the dealer or an experienced radio/TV technician for help.

ISED Information

CAN ICES-005(B)/NMB-005(B)

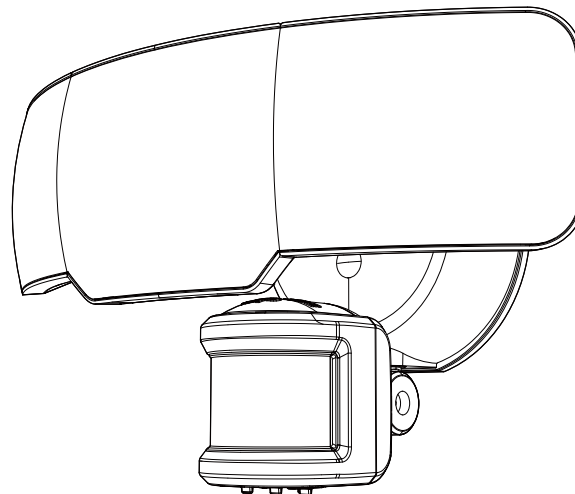


TRIPLE HEAD LED MOTION SENSOR SECURITY LIGHT

ITM. / ART. 1600041

Model. MK-SC0108

ES00879G



Distributed by: Costco Wholesale Corporation P.O. Box 34535 Seattle, WA 98124-1535 USA 1-800-774-2678 www.costco.com	Imported by / Importé par : Costco Wholesale Canada Ltd.* 415 W. Hunt Club Road Ottawa, Ontario K2E 1C5, Canada 1-800-463-3783 www.costco.ca * faisant affaire au Québec sous le nom Les Entrepôts Costco	Importado por: Importadora Primex S.A. de C.V. Blvd. Magno centro No.4 San Fernando La Herradura Huixquilucan, Estado de México C.P. 52765 RFC: IPR-930907-S70 (55)-5246-5500 www.costco.com.mx
--	---	---

Made in Cambodia
Fabriqué en Cambodge
Hecho en Camboya

IMPORTANT, RETAIN FOR FUTURE REFERENCE: READ CAREFULLY.

Please read these instructions carefully prior to installation. Failure to follow any of these instructions could void product warranties. Test Rite assumes no responsibility for claims arising out of improper or careless installation or handling of its products.

Do not return to the store before calling ACS. For questions regarding this product or warranty, please contact American Customer Service at 1-855-232-6427; serving in English, Spanish and French, Monday through Friday, 8am to 8pm Eastern Time. Outside of business hours you can reach us by e-mail at acs@americancustomerservice.com and we will reply to you on the next business day.

● IMPORTANT SAFETY INSTRUCTIONS

- To reduce the risk of death, personal injury or property damage from fire, electric shock, falling parts, cuts/abrasions and other hazards read all warnings and instructions included with and on the fixture box and all fixture labels.
- Before installing, servicing or performing routine maintenance upon this equipment, follow these general precautions.
- If you are unsure about the installation or maintenance of this fixture, consult a qualified, licensed electrician.
- Do not mount the unit against flammable surfaces.
- The motion detector will not operate correctly if it is installed:
 - Near the outlet of a central heating boiler
 - Near an air conditioning unit
 - Pointing directly at moving vehicles
 - Within sight of reflection from moving water
 - Where other lamps could shine on the detector
- Fixtures can't be used with a dimmer switch, motion or occupancy sensor and other electronic switching devices unless otherwise designated. LED fixtures must be powered directly off a switch circuit.
- This fixture should not be used in areas with limited ventilation or high ambient temperatures.
- This fixture is intended to be connected to a properly installed and grounded UL listed junction box.
- These instructions do not claim to cover all details or variations in equipment or provide every possible contingency to meet in connection with the installation, operation or maintenance. Should further information be needed, you may contact American Customer Service at 1-855-232-6427.

⚠ WARNING: RISK OF ELECTRICAL SHOCK

- Turn off electrical power at fuse or circuit breaker box before wiring fixture to the power supply.
- Verify that the supply voltage is correct. Connect fixture to a 120 volt, 60 Hz power source.
- Make sure all electrical and grounded connections are in accordance with the National Electrical Code and any applicable local code requirements.
- All wiring connections should be capped with UL listed wire connectors.

⚠ CAUTION: RISK OF PRODUCT DAMAGE

- Never connect components under load.
- Do not mount or support these fixtures in a manner that can cut the outer jacket or damage wire insulation.
- Avoid covering LED fixtures with insulation, foam, or other material that will prevent convection or conduction cooling.
- Never connect a LED product directly to dimmer packs, occupancy sensors, timing devices or other related control device, unless individual product specifications deem otherwise.
- Unless individual product deems otherwise: do not exceed fixtures maximum ambient temperatures.
- LED products are Polarity Sensitive. Ensure proper polarity before installation.
- Electrostatic Discharge (ESD) can cause damage to LED fixtures. Personal grounding equipment must be worn during all installation or servicing of the unit.
- Do not touch the individual electronic components, it may cause ESD, shorten lamp life or alter performance.

⚠ CAUTION: RISK OF INJURY

- Wear gloves and safety glasses at all times when removing fixture from carton, installing, servicing or performing maintenance.
- Avoid direct eye exposure to the light source while it is on. LED LAMPS ARE EXTREMELY BRIGHT. UNDER NO CIRCUMSTANCES SHOULD YOU STARE INTO A LED BEAM, THIS MAY CAUSE IRREPARABLE DAMAGE TO THE EYE.
- Account for small parts and destroy packaging materials, as these may be hazardous to children.

⚠ WARNING: RISK OF BURN

- Allow fixture to cool before handling. Do not touch enclosure of light source.
- Do not exceed the maximum wattage marked on the label.
- Keep combustible and other materials that can burn away from the luminaries, fixture and lamp/lens.

● PRE-INSTALLATION

Before beginning assembly of the product, make sure all parts are present. Compare parts with package contents list and hardware contents. If any part is missing or damaged, do not attempt to assemble the product.

Estimated assembly time: 20 minutes.

Note: Fixture should be installed by persons with experience in household wiring or by a qualified electrician. The electrical system and the method of electrically connecting this fixture to it must be in accordance with the National Electrical Code and local building codes.

- Install the motion sensor between 1.9 m / 6.2 ft and 3 m / 9.8 ft above the ground. Motion sensor is less sensitive above 3 m / 9.8 ft.
- Mount motion sensor so motion moves across detection zone.
- Mount sensor away from heat producing sources to prevent false triggering. Also be very careful not to include objects such as windows, white walls and water in the detection zone.
- Mount fixture away from moving objects such as trees and street traffic.
- Suitable for wall mounting or eave mounting.

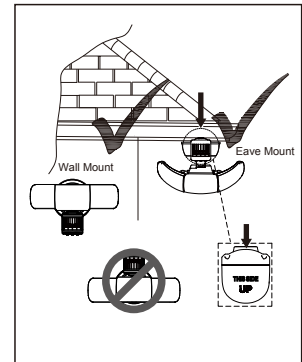
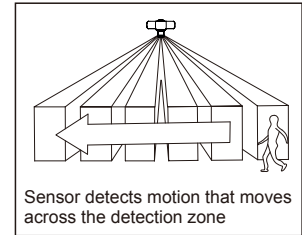
MOUNTING LOCATIONS

- Determine the mounting location – a Wall or Eave.
- Make sure “This side UP” on sensor faces up after installation.
- Position the lamp head in the general direction of the desired light coverage.
- If needed, adjust the motion sensor up and down so the controls faces the ground after installation.

Note: Do not mount this light fixture on the ground.

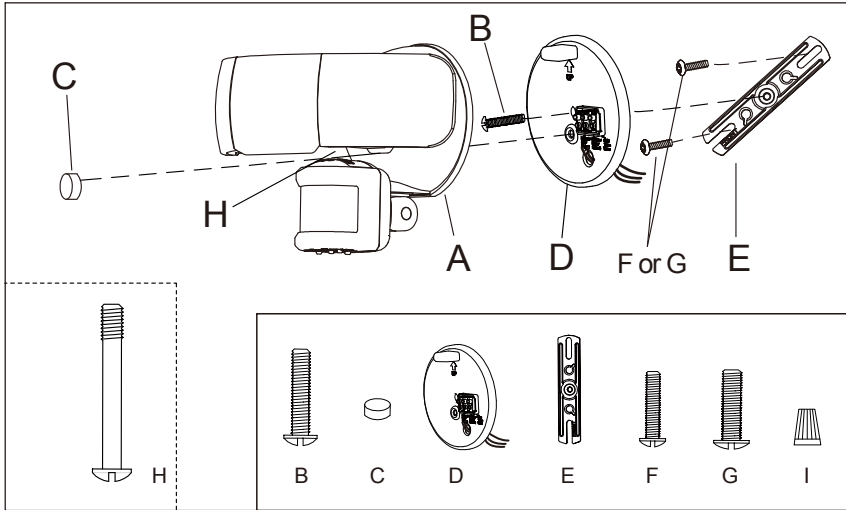
Important notes:

1. Environmental temperature affects the sensor range. It is recommended not to mount the fixture near a heat source like an air conditioner, vent, or furnace exhaust, or in a direction facing a light reflecting object.
2. The sensor will be more sensitive to motion across its detection path than motion coming directly towards it.
3. For best performance, gently clean the lens with a soft cloth every two months to assure maximum sensitivity.



PRE-INSTALLATION (Continued)

TOOLS REQUIRED FOR INSTALLATION (NOT INCLUDED)



FIXTURE PACKING LIST

Part	Description	Quantity
A	Light Fixture	1
B	Small Mounting Bolt	1
C	Decorative Cover	1
D	Mounting Plate	1
E	Mounting Bracket	1
F	#6-32 X 3/4" Junction Box Screw	2
G	#8-32 X 3/4" Junction Box Screw	2
H	Large Mounting Bolt (pre-installed)	1
I	Wire Nut	3
	User Manual	1

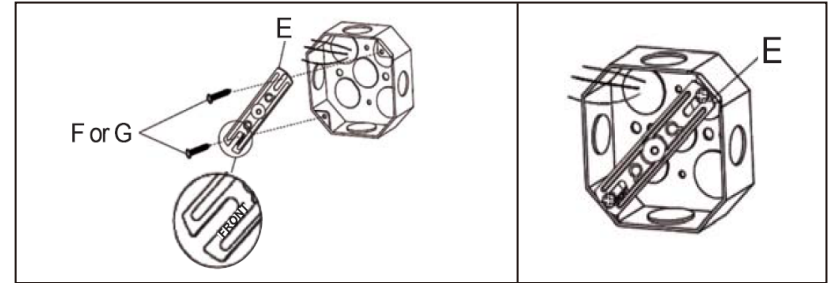
INSTALLATION



WARNING: Risk of electric shock. Disconnect power at fuse or circuit breaker before installing or servicing.

Step 1. Installing the Mounting Bracket

- Line up the holes on the mounting bracket (E) with the holes on your junction box. Using the two mounting screws (F or G) fit the junction box.



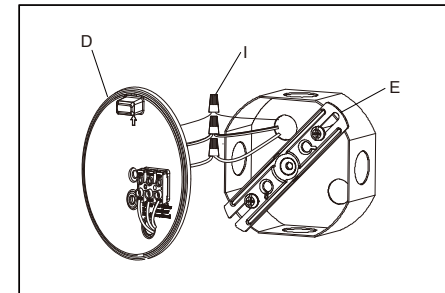
Step 2. Making the Electrical Connections



CAUTION: Do not cut any wires with factory installed wire connectors or remove the wire connectors.

- Connect the light fixture wires to the junction box wires with wire nut (I).
 - White to white
 - Black to black
 - Green ground wire to house ground

Note: Make sure the polarity is correct.



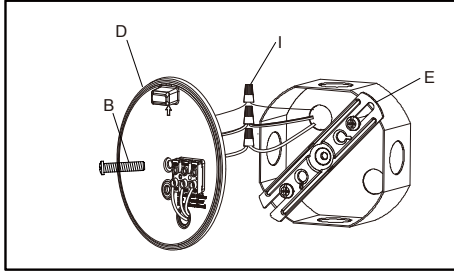
● INSTALLATION (Continued)

Step 3. Installing the Mounting Plate



CAUTION: Do not cut any wires with factory installed wire connectors or remove the wire connectors.

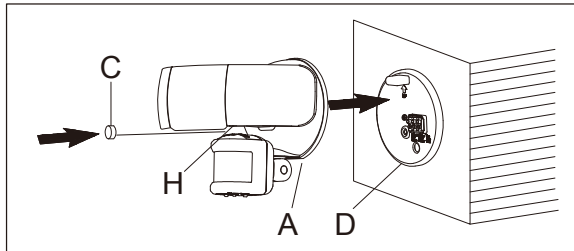
- Place the mounting plate (D) against the junction box.
- When mounting to a wall, the "UP" arrow must point upward.
- When mounting to an eave, the "UP" arrow must point toward the building.



- Insert the small mounting bolt (B) through the mounting plate (D) hole and mounting bracket (E) hole. Tighten the bolt (B) securely.
- Firmly pull on the mounting plate (D) to verify it is securely attached to the mounting bracket (E).

Step 4. Mounting the Light Fixture

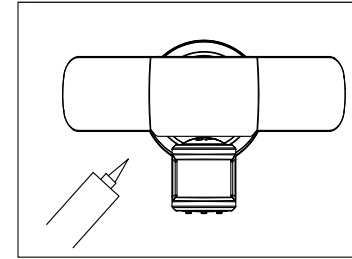
- Align the bottom edge of the light fixture (A) with the bottom edge of the mounting plate (D). Tilt the light fixture (A) toward the mounting plate (D), making sure the light fixture (A) is centered on the mounting plate (D).
- Tighten the large mounting bolt (H) securely through the center of the mounting plate (D). Do not overtighten.
- Push the rubber plug (C) firmly into the large mounting bolt hole on the light fixture (A).



● INSTALLATION (Continued)

Step 5. Caulking Around the Light Fixture

- Caulk around the canopy and mounting surface with silicone sealant (not included).

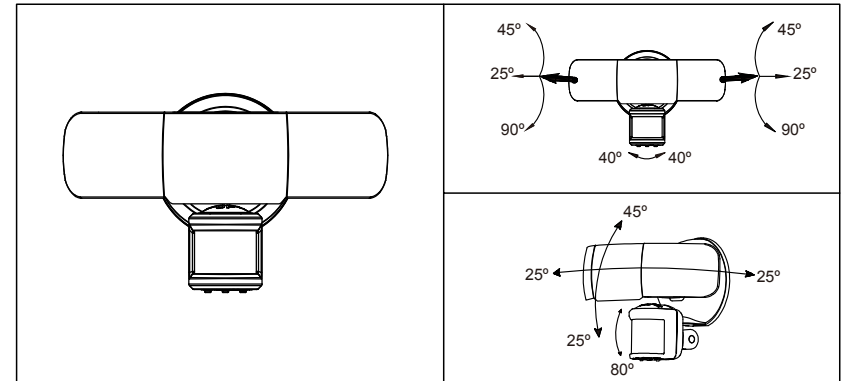


Note: If you install this light fixture on the covered wall or eave without junction box, you must consult a qualified, licensed electrician and use the appropriate screws (not included) to install this light on the wall or eave directly depending on the surface.

● OPERATION

1. Adjusting the Lamp Heads and Sensor

- Lamp heads can be adjusted easily. You may adjust the lamp head left and right or up and down to get the desired lamp direction.
- Sensor can be adjusted easily. You may adjust the sensor left and right or up and down to get the desired lamp direction.



Note: LED LAMPS ARE NON-REPLACEABLE. Do not attempt to access / maintain the LEDs; they are non-replaceable and any contact may damage the LEDs and will void the warranty.

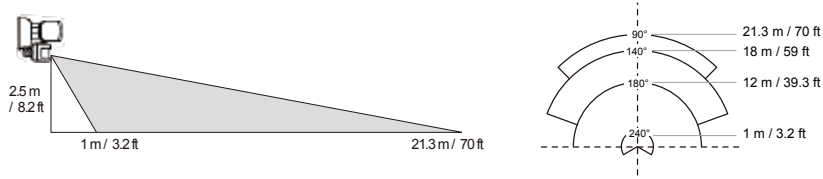
OPERATION (Continued)

2. Adjusting the Detector

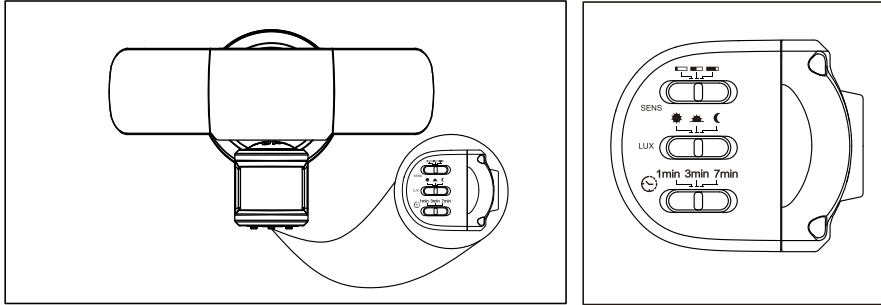
- After installing your motion activated light, you are ready to set /aim the motion detector.
- Detection Range is around 21.3 m / 70 ft x 240 degrees(max) .

Note: 21.3 m / 70 ft detection range is based upon an ambient temperature of 25 degrees Celsius/ 77 degrees Fahrenheit.

- When you first install your security light, you must aim the detector head to cover the desired area. Adjust the sensor head horizontal for long coverage.ax) .



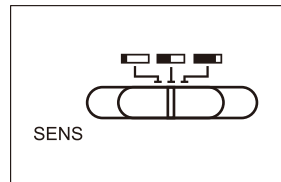
- Adjust the sensor head up or down for longer or shorter coverage. Rotate the motion sensor so the controls face toward the ground.



SENS Setting

Adjust the SENS setting to adjust range of Passive Infrared Motion Sensor.

- Slide the "SENS" switch toward the "☐" (low) position for short detection range.
- Slide the "SENS" switch toward the "▣" (middle) position for middle detection range.
- Slide the "SENS" switch toward the "■" (high) position for long detection range.



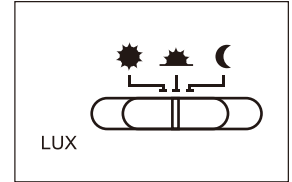
OPERATION (Continued)

The higher the "SENS" setting (sensitivity), the greater the possibility of false triggering. To reduce false triggering, suggest to slide the "SENS" switch toward the "☐" (low) setting if you don't need long detection distance while using this light.

LUX Setting

This setting is used to control the ambient light level for the motion security light to turn on after motion detection.

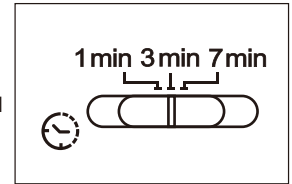
- Slide the "LUX" switch toward the "☀" position to set the light to turn on in daylight ,sunset or darkness.
- Slide the "LUX" switch toward the "🌅" position to set the light to turn on in sunset or darkness.
- Slide the "LUX" switch toward the "🌙" position to set the light to turn on in darkness.



TIME Setting

This setting is used to control the time span of how long the light remains on when motion is detected.

- Set the "🕒" switch to the 1, 3 or 7 minutes position. The security light will stay on as long as motion is detected and will go off after no motion is detected for the set amount of time.



3. Manual Override Function

- When power is on, the PIR sensor enters a "warm-up" period for about 15 seconds, then automatically switches into AUTO MODE.
- During AUTO MODE, by switching the main switch OFF-ON-OFF-ON within 3seconds, the PIR sensor will automatically change into MANUAL MODE from AUTO MODE. In MANUAL MODE, the lights will remain ON, and will NOT be controlled by time duration or ambient light (LUX) levels. The MANUAL MODE will change to AUTO MODE in 6 hours automatically or will change back to AUTO MODE if dawn is reached.
- During MANUAL MODE, by switching the main switch OFF for over 10 seconds then back ON again,the PIR sensor will reset to the "warm-up" period.



4. Blue LED Sensor Indicator

- The Blue LED Light will flash to show that the PIR sensor is functioning properly.

○ SPECIFICATIONS

1. Detection Method: Passive Infrared Sensor (PIR). PIR measures infrared light radiating from objects in its field of view. Apparent motion is detected when infrared levels change.
2. Sensor Range: Up to 21.3 m / 70 ft x 240 degree spread (Varies with surrounding temperature).
3. Time Adjustment: 1, 3, 7 minutes.
4. Power Source: 120VAC/60Hz, 38W.
5. Load Rating: No extra lights should be added to this unit.

○ ADVANTAGES OF LED'S

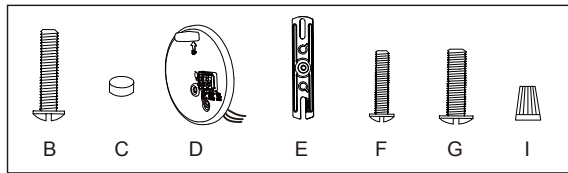
1. Energy saving – much lower power consumption and \$\$\$ savings.
2. Longer lifetime – Solid State lighting has no filament to break.
3. Light does not radiate heat.

○ CARE AND CLEANING

- To prolong the original appearance, clean with clear water and a soft, damp cloth only.
- Do not use paints, solvents, or other chemicals on this light fixture. This could cause a premature deterioration of the finish. This is not a defect in the finish and will not be covered by the warranty.
- Do not spray with a hose or power washer.

○ REPLACEMENT PARTS LIST

For replacement parts, call our customer service department at 1-855-232-6427; serving in English, Spanish and French, Monday through Friday, 8am to 8pm Eastern Time. Outside of business hours you can reach us by e-mail at acs@americancustomerservice.com and we will reply to you on the next business day.



Part	Description	Quantity
B	Small Mounting Bolt	1
C	Decorative Cover	1
D	Mounting Plate	1
E	Mounting Bracket	1
F	#6-32 X 3/4" Junction Box Screw	2
G	#8-32 X 3/4" Junction Box Screw	2
I	Wire Nut	3

○ TROUBLESHOOTING

Problem	Possible Cause	Solution
The light will not come on.	<ul style="list-style-type: none"> ▪ The light switch is turned off. ▪ The fuse is blown or the circuit breaker is turned off. ▪ The light fixture is not properly attached to the mounting plate, if this is a new installation (the pins are not fully seated in the terminal block). ▪ The circuit wiring is incorrect, if this is a new installation. ▪ The detector is aimed in the wrong direction. ▪ The power voltage is wrong. 	<ul style="list-style-type: none"> ▪ Turn the light wall switch on. ▪ Replace the fuse or turn the circuit breaker on. ▪ Re-install the light fixture to the mounting plate and ensure the pins are fully seated in the terminal block. ▪ Verify the wiring is correct. ▪ Re-aim the detector to cover the desired area. ▪ Verify that the power voltage is correct.
The light comes on during the day.	<ul style="list-style-type: none"> ▪ The detector may be installed in a relatively dark location. ▪ The Ambient Light (LUX) level setting is wrong. ▪ The light fixture is on Manual Override Mode. 	<ul style="list-style-type: none"> ▪ The light fixture is operating normally under these circumstances. ▪ Adjust the Ambient Light (LUX) level setting to "MOON" position. ▪ Adjust the light fixture to Auto Mode.
The lights stay on continuously.	<ul style="list-style-type: none"> ▪ A bulb is positioned too close to the detector or pointed at nearby objects that cause heat to trigger the light detector. ▪ The light fixture is on Manual Override Mode. ▪ The light fixture is on the same circuit as a motor, transformer, or fluorescent bulb. 	<ul style="list-style-type: none"> ▪ Reposition the bulb away from the detector or nearby objects. ▪ Adjust the light fixture to Auto Mode. ▪ Install the light fixture on a circuit without motors, transformers, or fluorescent bulbs. (Dedicated Circuit)
The light comes on for no apparent reason	<ul style="list-style-type: none"> ▪ The motion sensor may be sensing small animals or automobile traffic. ▪ There is motion in the detection zone. ▪ The light fixture is wired through a dimmer or timer. 	<ul style="list-style-type: none"> ▪ Decrease the "SENS" setting or reposition the motion sensor. ▪ Make sure the detector is not picking up moving objects such as trees, traffic, etc. and re-aim the detector. ▪ Do not use a dimmer or timer to control the light fixture. Replace the dimmer or timer with a standard on/off wall switch.

For further questions or assistance, please contact American Customer Service at 1-855-232-6427; serving in English, Spanish and French, Monday through Friday, 8am to 8pm Eastern Time. Outside of business hours you can reach us by e-mail at acs@americancustomerservice.com and we will reply to you on the next business day.